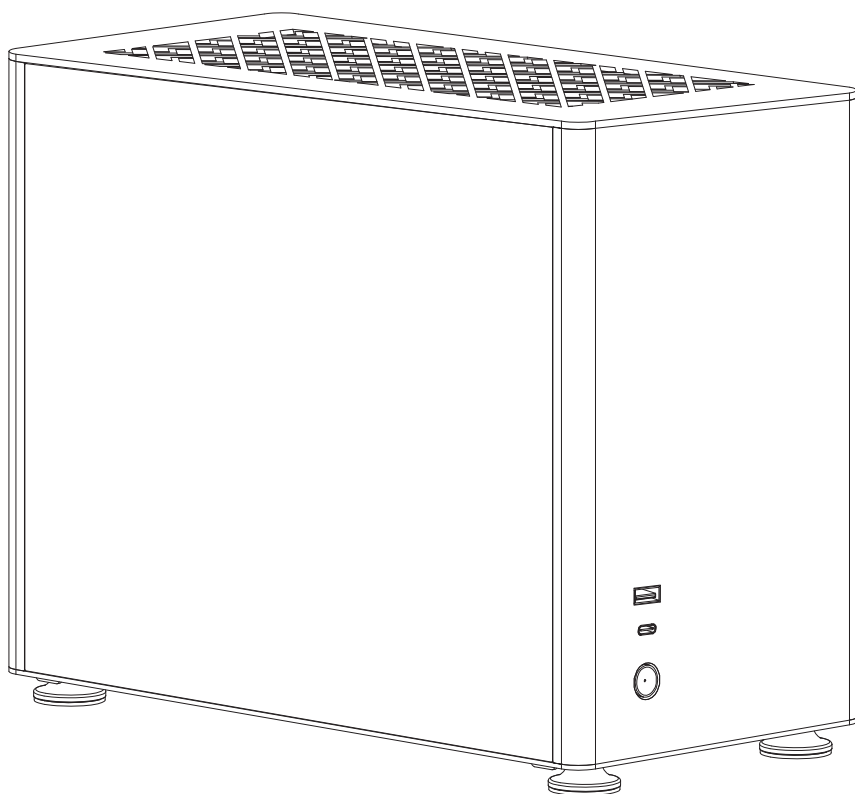


JONSBO
For your real needs

A4

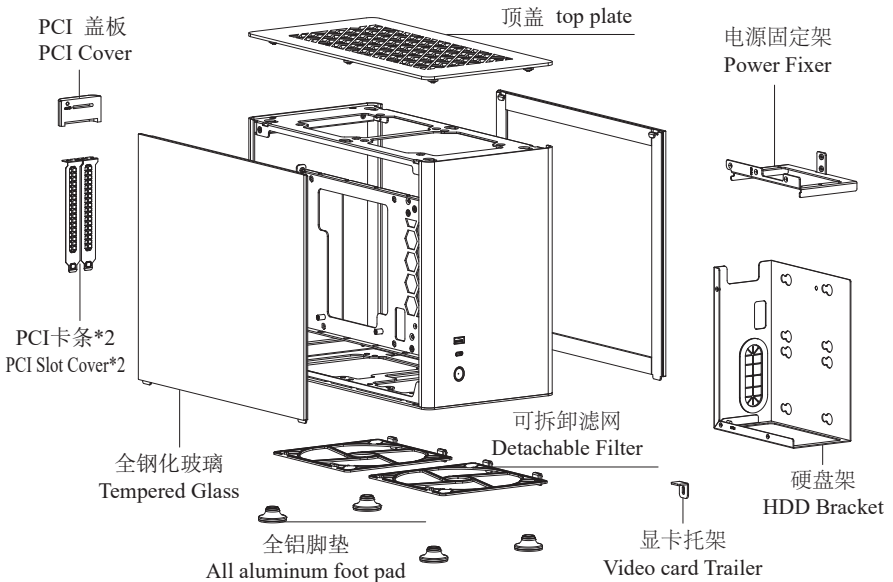
Separated Cabinet Case



Product Overview





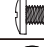
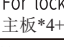




SPECIFICATION

Dimension	169mm(W)*273mm(H)*340mm(D)
Motherboard	ITX
Max. CPU Cooler Height	71mm
Max. Display Card Length	325mm
Material	Top plate 3mm aluminum magnesium alloy Front plate/back plate/bottom plate 2mm aluminum magnesium alloy Hardware 1.5mm all black steel plate Side plate 3.00mm all tempered glass
Drive Bay	2*2.5+1*3.5
Front I/O Port	POWER*1 USB3.0*1 USB3.1 GEN2*1
Cooling System	Top: 120mm*2 (optional) Bottom: 120mm*2 (optional)
PSU Support	SFX/SFX-L
PCI Expansion Slot	2

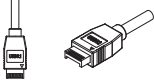
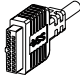
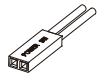
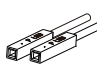


Installation Guide

Package Content

	 For locking SSD 2.5" 硬盘螺丝	8 PCS		 SSD Rubber Gasket 2.5" 硬盘胶垫	8 PCS
	 For locking motherboard/PCI(M3*5-细) 主板*4+PCI*2(M3*5)	6PCS		 For locking HDD HDD固定螺丝	4 PCS
	 For locking PSU(# 6-32*6-粗) PSU*6(# 6-32*6)	6 PCS			

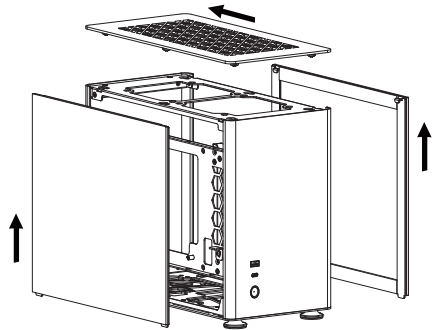
Connectors

USB3.1 GEN2 Connection	USB3.0 Connection	Power Button Connection	Power LED Connection
	 VBUS SSRX1+ SSRX1- GND SSRX2+ SSRX2- GND SSTX1+ SSTX1- GND SSTX2+ SSTX2- GND D+ D- NC	 + POWER SW -	 + POWER LED -

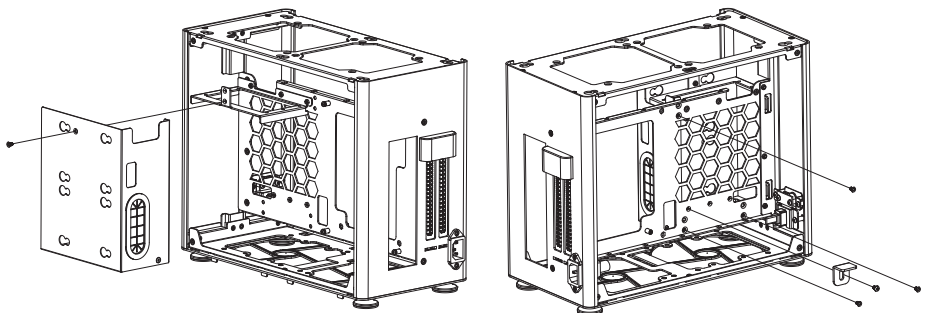
开启机箱 Open the case

按压-向后窗推动开启顶盖
向上提拉去除玻璃侧板

Press-then push backward to take out top plate
Push upward and take out side plates



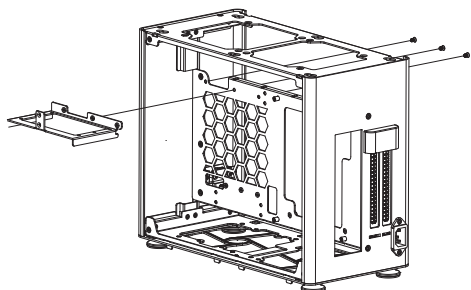
安装前准备 Preparation before installation



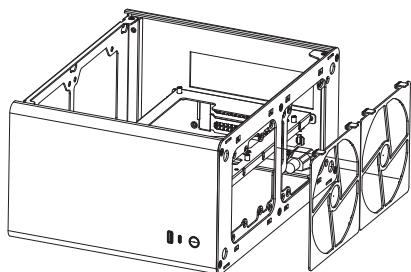
① 拆掉硬盘架(电源罩)及显卡托架

Take out HDD rack (PSU cover) and removable display card rack

Installation Guide



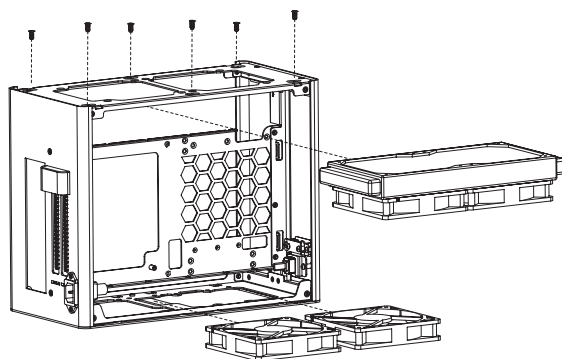
② 拆掉电源固定架
Take out PSU rack



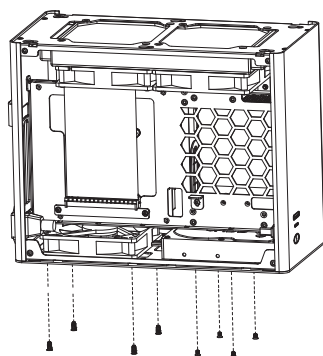
③ 拆掉底部防尘网
Take out bottom dust filter

安装冷排/风扇

Install Radiator/Fan



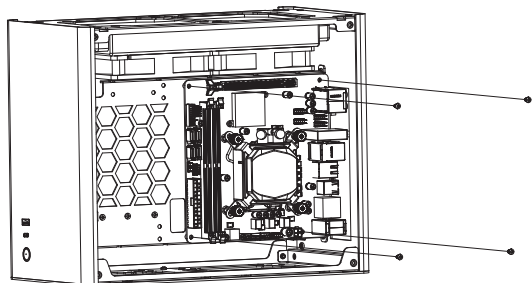
底板(Bottom): Fan 120mm*2



底板(Bottom): Fan 120mm*1 HDD*1

安装主板

Install motherboard

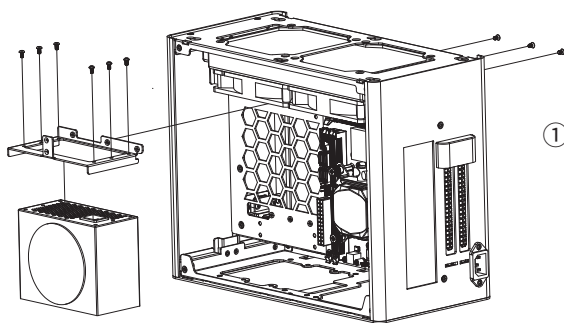


散热器安装完毕，
固定主板螺丝

After installation of radiator,
fixed with screws

安装电源

Install PSU

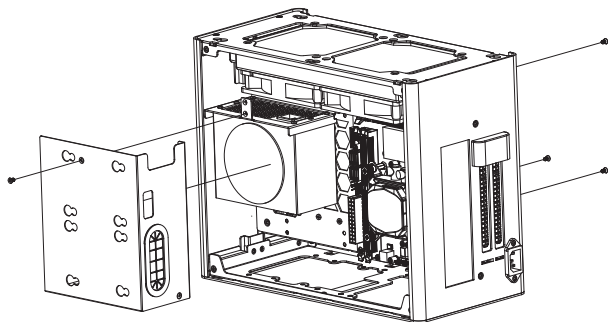


- ① 电源安装在电源支架上，装回机箱固定

Install PSU on PSU rack, then install into the case and fix it

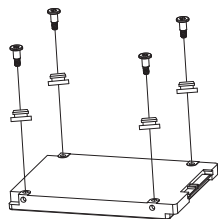
- ② 装回电源罩

Install PSU cover



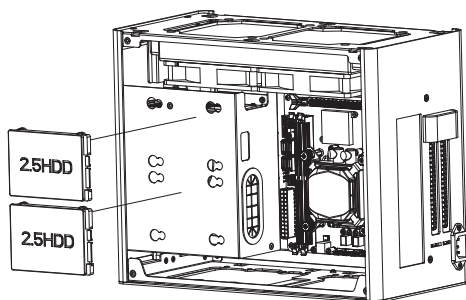
安装SSD

Install SSD



- ① 螺丝穿过胶圈固定在SSD上

Screw pass through rubber gasket and fix into SSD

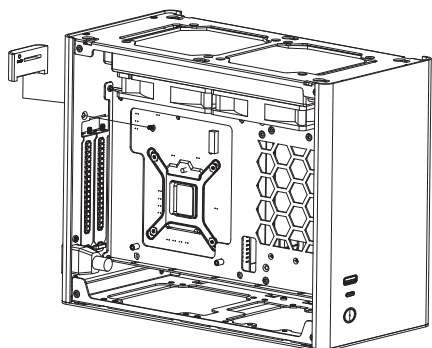


- ② 滑入葫芦孔固定

Slide into calabash holes to fix it

安装显卡

Install display card

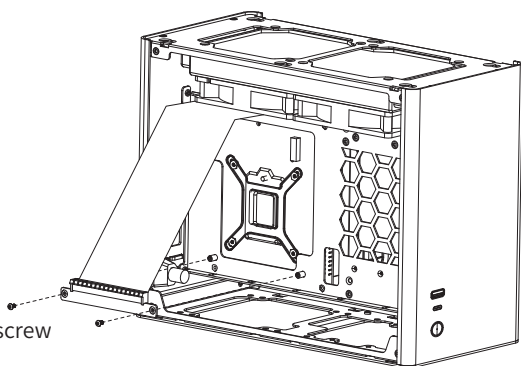


- ① 松开PCI盖板
Take out PCI cover

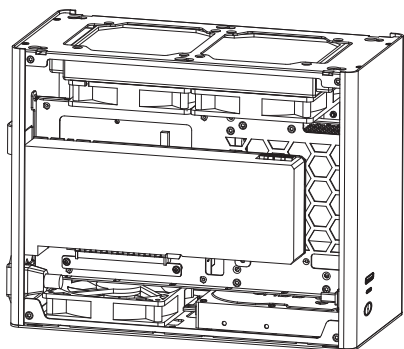
- ② 固定显卡转接线
Fix display card cable

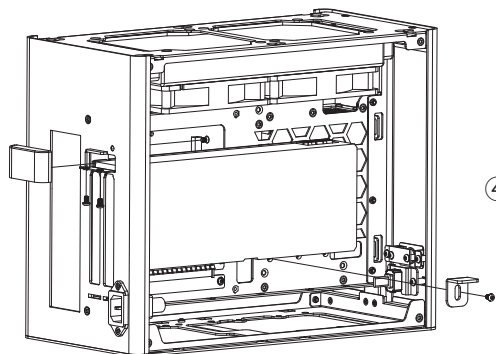
先插入主板PCI插槽，
再固定螺丝

First insert the PCI slot of
the motherboard, then fix the screw



- ③ 装入显卡固定
Install display card and fix it

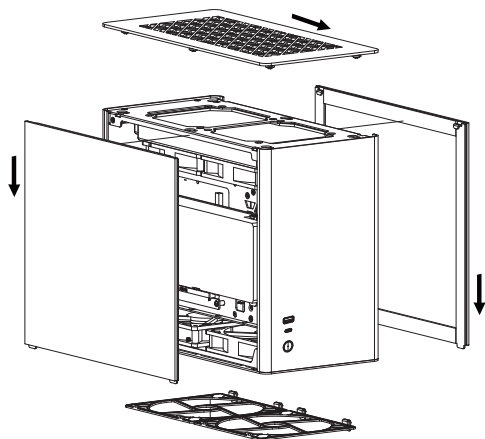




- ④ 固定PCI盖板, 调节显卡托架
Fix PCI cover, adjust display card stand

装回侧板、顶盖、防尘网、脚垫

Install side plates, top plate,
dust filter, feet pad



安装完成

Installation complete





■ WWW.JONSBO.COM