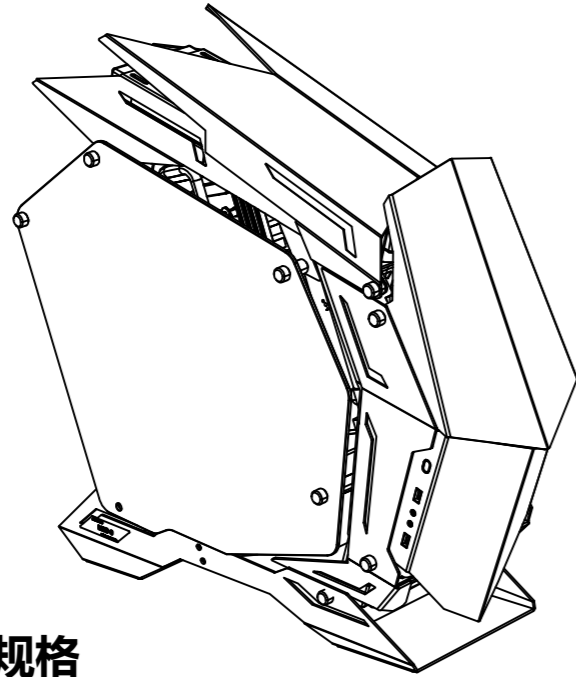


MOD3-Manual/说明书



Specification/产品规格

Product Size/产品尺寸	252MM(W)×648MM(D)×621MM(H)/252MM(宽)×648MM(深)×621(高)
Material/材质	2.0+2.5MM/Aluminum Magnesium Alloy/2.0+2.5MM铝镁合金架构
	Tempered Glass 4MM /钢化玻璃 4MM
Main Board Type /主板兼容	ITX、M-ATX、ATX、E-ATX
HDD/SSD/硬盘位	2.5SSD×2、3.5HDD×1 /2.5SSD×3
Front I/O Prot/前I/O端口	USB3.0×2、AUDIO×1、MIC×1
Power Support/电源	Standard ATX, the length of PSU should be within 195mm /标准ATX、电源长度支持195MM
Radiator/CPU散热器	Height up to 170MM/散热器最高170MM
Video Card/显卡	Length up to 400MM/显卡支持400MM
PCI Slot/PCI拓展槽	7
FAN/风扇 (Fan is not built-in) (风扇非标配)	top/顶: 120MM×3/240水冷/360水冷/240 Radiator/360 Radiator
	In front/前: 120MM×3/240水冷/240 Radiator
Weight/重量	Net/净重: 8KG

Accessories/Screws/配件包

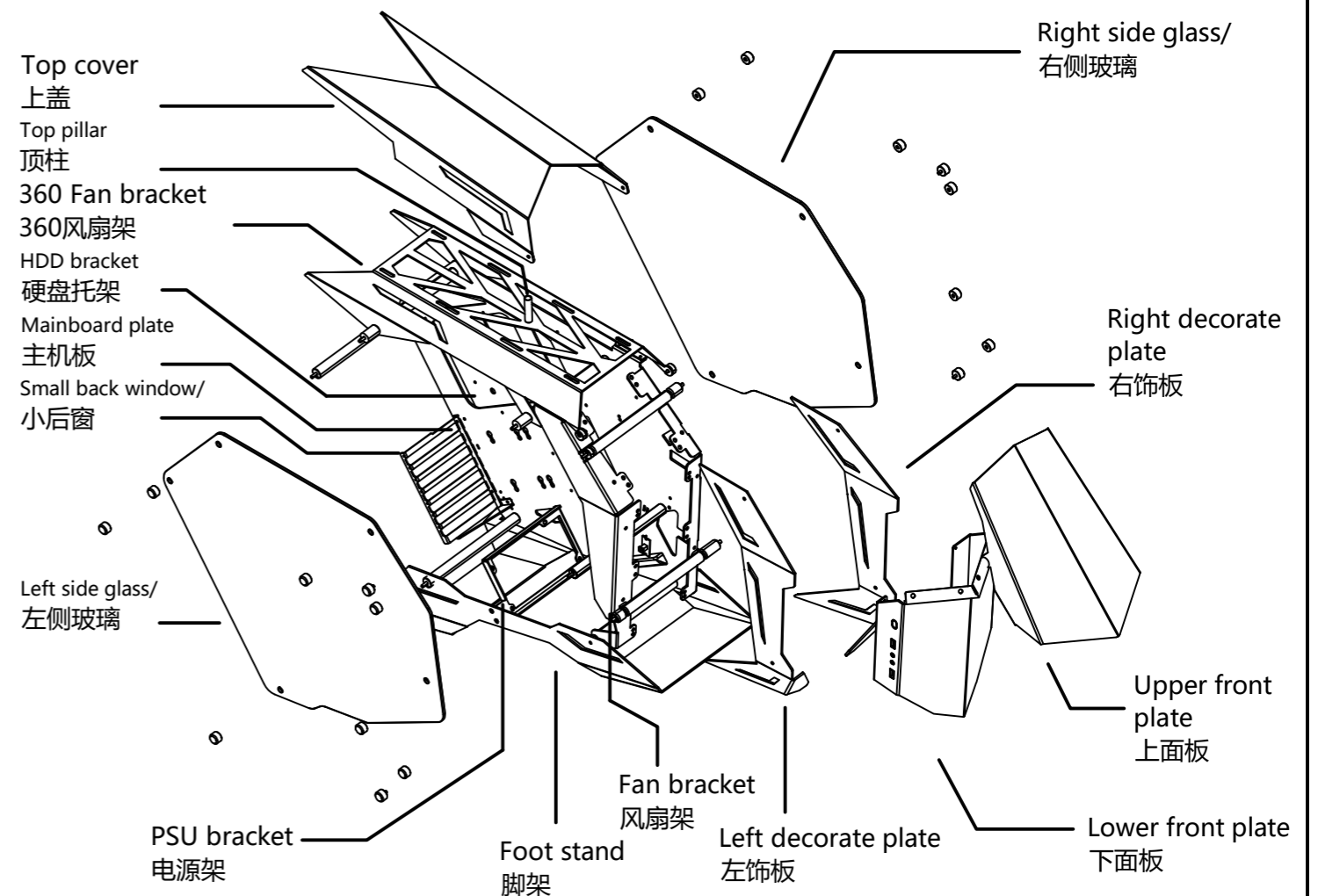
	2.5SSD硬盘螺丝/SSD screw	8PCS		电源×4/主板×10/显卡×7/PSU x 4 /Mainboard x 10/Video Card×7	21PCS
	2.5HDD橡胶垫片/Rubber gasket	9PCS		红滑丝垫片/Red slipped gasket	15PCS
	六角铜柱/Hexagon pillars	1PCS		3.5SSD硬盘螺丝/HDD screw	4PCS
	束线带/Cable ties	8PCS		2.5SSD硬盘螺丝/2.5/SSD screw	4PCS

Connector/连接说明

<p>USB 3.0 Connection</p> <p>VBUS SSRX1- SSRX1+ GND SSTX1- SSTX1+ GND D1- D1+ NC</p> <p>VBUS SSRX2- SSRX2+ GND SSTX2- SSTX2+ GND D2- D2+</p>	<p>HD AUDIO Connection</p> <p>PORT 1L <input type="checkbox"/> AUG GND PORT 1R <input type="checkbox"/> PRESENCE PORT 2R <input type="checkbox"/> SENSE1_RETURN SENCE_SEND <input type="checkbox"/> PORT 2L <input type="checkbox"/> SENSE2_RETURN</p>
<p>Power Button Connection</p> <p>POWER SW</p>	<p>Hard drive LED Connection</p> <p>H.D. LED</p>

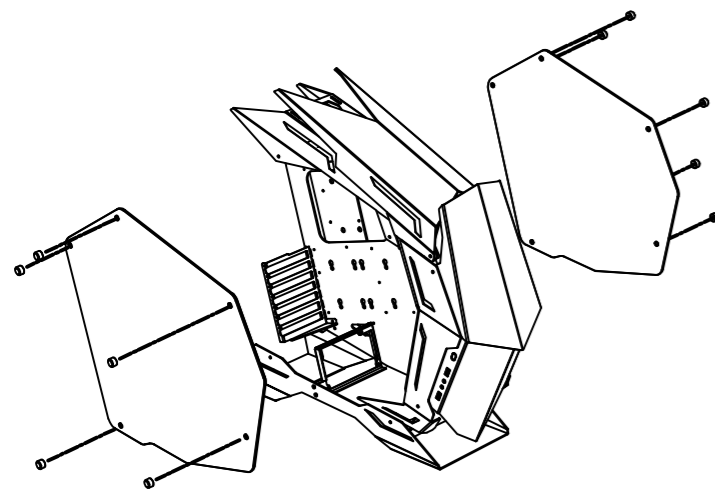
Product exploded drawing

产品爆炸图



Side tempered glass
玻璃侧板

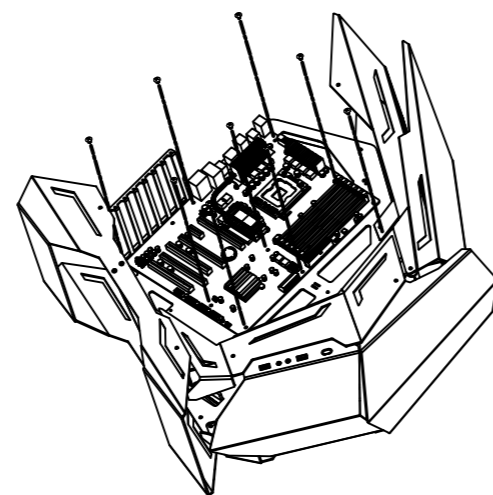
1



- 1、拆下左/右玻璃侧板螺丝，可取下左/右玻璃。
Unscrew left/right side plate screws, and take out left/right glass

Install Motherboard
主板安装

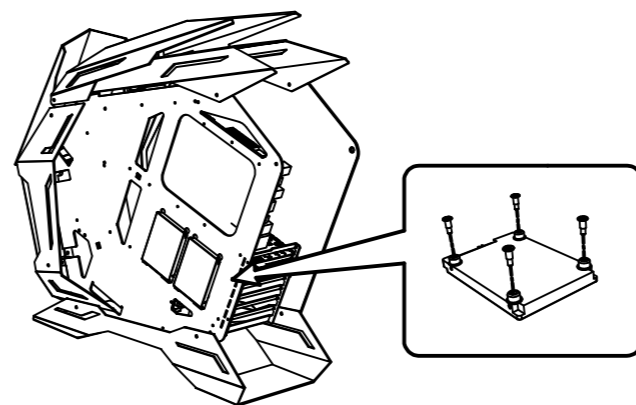
2



- 1、把主板放在图示安装区，用9颗螺丝锁好主板。
Fix mainboard with 9 screws on the installation area shown

Install 2.5SSD-01
硬盘安装-01

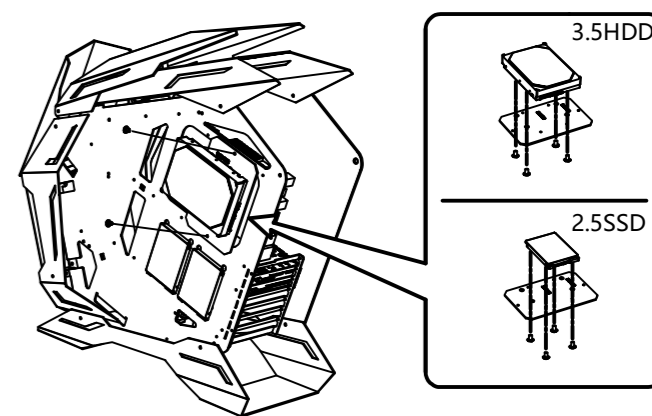
5



- 1、用《零件盒》螺丝/胶垫/组装好硬盘。
Use screws/rubber mat from accessories box to assemble SSD
- 2、组好的硬盘插入主机板背部卡槽内。
After assembling SSD, lock it on the back of mainboard plate

Install 3.5HDD-02
硬盘安装-02

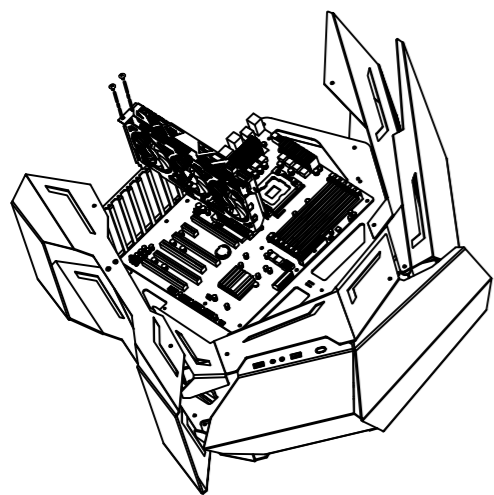
6



- 1、拆下硬盘托架。/Remove HDD bracket
- 2、用4颗螺丝从硬盘托架底部固定住硬盘。
Use 4 screws to fix HDD from HDD bracket bottom
- 3、固定硬盘后，用螺丝锁在主机板后面。
After fixing HDD, use screws to lock it behind back plate。
(硬盘托架兼容安装3.5HDD/2.5SSD)。
(HDD bracket is compatible with 3.5HDD/2.5SSD)

Video Card Installation
显卡安装

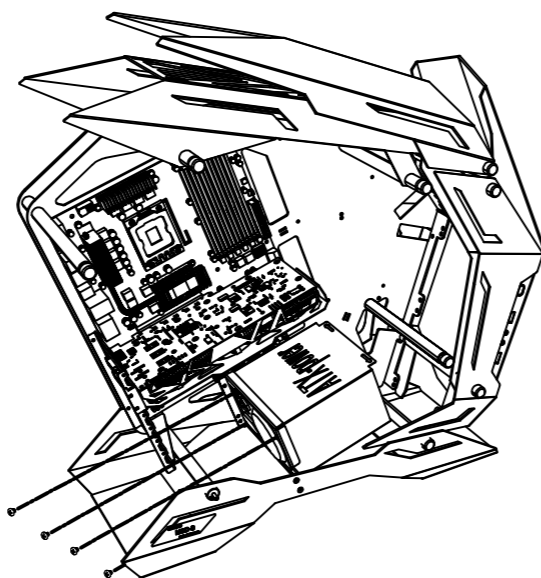
3



- 1、显卡插入主板卡槽内。
Insert video card into mainboard slot
- 2、用螺丝锁主显卡。
Fix video card with screws

Install PSU
电源安装

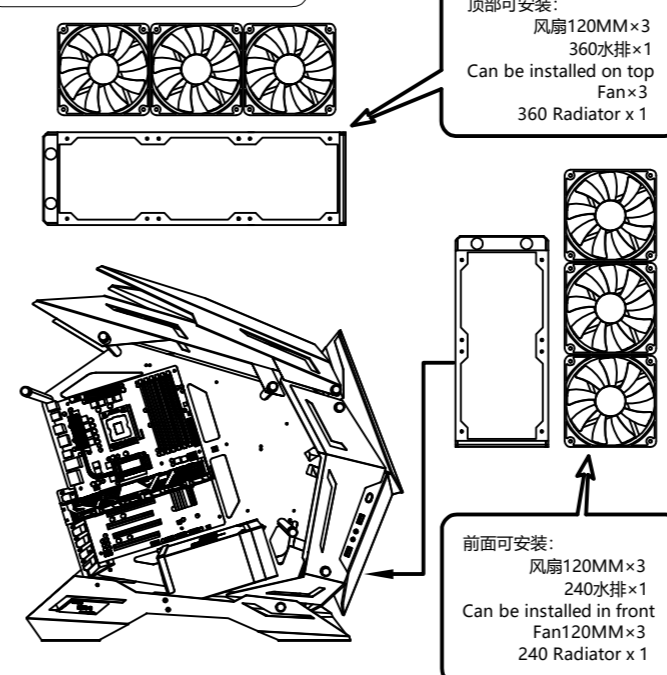
4



- 1、用4颗螺丝把电源锁在固定板上。
Use 4 screws to lock PSU on PSU fixing plate

FAN- Water Cooler
风扇-水冷

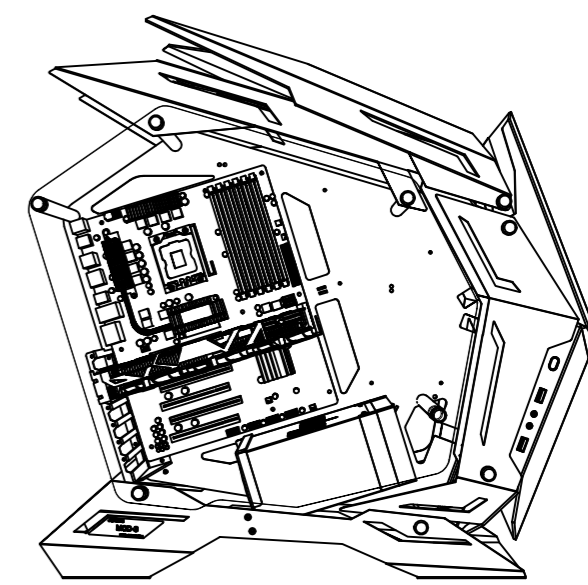
7



顶部可安装：
风扇120MM×3
360水排×1
Can be installed on top
Fan×3
360 Radiator x 1

前面可安装：
风扇120MM×3
240水排×1
Can be installed in front
Fan120MM×3
240 Radiator x 1

- 1、顶部风扇支持120MM×3/360水排×1。
Top part supports 120mm x 3 fans
- 2、前面可安装：风扇120MM×3/240水排×1。
Can be installed in front: fan 120MM x 3 / 240 liquid cooler x 1



Assembling Finished
安装完成